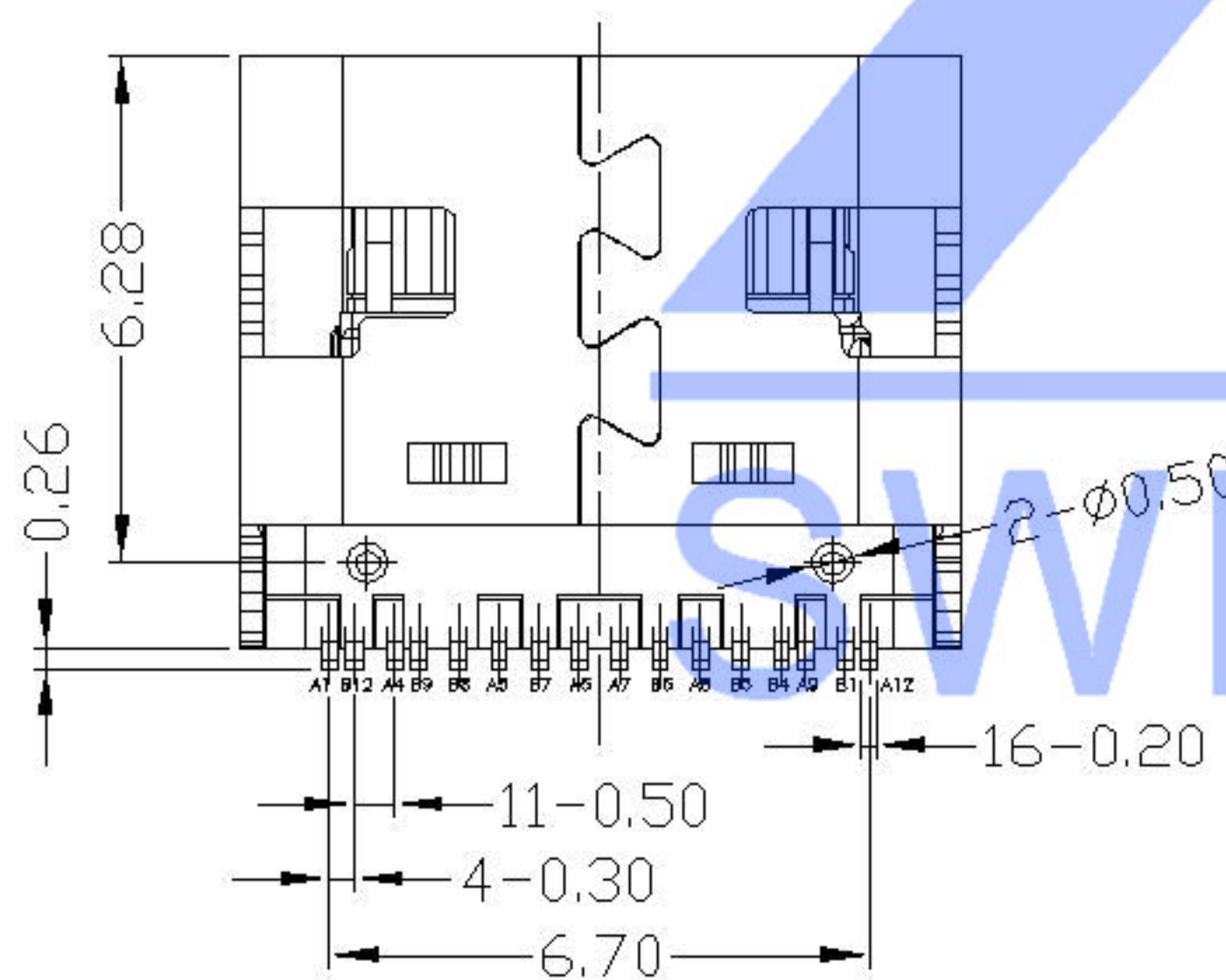


RECOMMENDED PCB LAYOUT



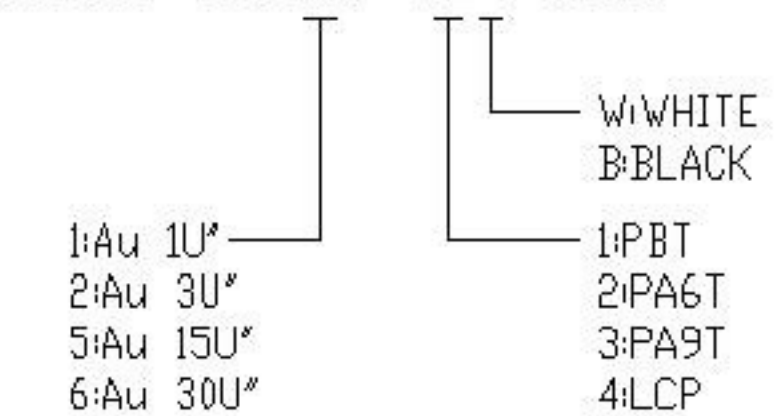
A1	GND	B12	GND
A4	VBUS	B9	VBUS
A5	CC1	B8	SBU2
A6	DP1	B7	DN2
A7	DN1	B6	DP2
A8	SBU1	B5	CC2
A9	VBUS	B4	VBUS
A12	GND	B1	GND
PIN	SIGNAL NAME	PIN	SIGNAL NAME

NOTES:

- ELECTRICAL:
  - CURRENT RATING: 3.0A MAX;
  - INSULATION RESISTANCE: 100MΩ MIN;
  - CONTACT RESISTANCE: 40mΩ MAX;
  - WITHSTANDING VOLTAGE: 100V AC;
  - TEMPERATURE RANGE: -30°C TO +85°C.
- MECHANICAL:
  - INSERTION FORCE: 5N~20N.
  - UNMATING FORCE: 8N~20N.
- DIMENSIONS MARKED "▼" TO BE CHECKED BY Q.C & IPQC.

4. PART NO.

U262-16XN-4BVC11



MARK	DESCRIPTION	DATE	REVISED	APPROVED	UNSPECIFIED TOLERANCES	DSND	DATE	SCALE: N/A	MODEL TYPE: 3.1 TYPE C
Δ X					ANGULAR ±5°	DWN	DATE	VIEW:	PART NO.:
Δ X					L ≤ 4 ±0.2	CHKD	DATE	UNIT: mm	DWG NO.:
Δ X					4 < L ≤ 16 ±0.3	APPD	DATE	SIZE: A4	U262-16XN-4BVC11
					16 < L ≤ 63 ±0.4	XKB INDUSTRIAL PRECISION CO., LIMITED			
					L > 63 ±0.5				